



PICKING UP WHERE OTHERS LEAVE OFF



FORKOVER STACKER

ES10-62R

CAPACITY	2,200 lbs. @ 24" Load Center
INTEGRAL BATTERY/CHARGER	24V maintenance free batteries with 110V smart charger

SPEED TRAVEL

Variable from 0 mph to 3.4 mph empty. Variable from 0 mph to 2.5 mph loaded

LIFT

Up to 39 fpm empty. Up to 20 fpm loaded

LOWERING

Up to 21 fpm empty. Up to 21 fpm loaded

WEIGHT

1125 lbs. with battery and charger

TIRES/WHEELS

DRIVE

8.3" x 2.8" polyurethane

STABILITY

4" x 2" polyurethane

DUAL LOAD

(2) 4" x 2" polyurethane

ELECTRICAL

Curtis travel control provides smooth stepless travel. Quick disconnect EPD power cut off and battery discharge indicator are standard equipment.

HYDRAULICS

Lift cylinder is hard chrome. Permanent magnet pump motor and chrome plated lift cylinder provides smooth lifting and lowering. Pump unit includes DC motor, solenoid, and gear pump.

DRIVE

24-Volt permanent magnet DC drive motor with rare earth neodymium magnets increases efficiency and duty cycle.

BRAKES

Electro-magnetic disc brake.

TILLER ARM CONTROL

Offset steering arm provides excellent line of sight for operators. Right angle stacking in aisles as narrow as 60". Travel, lift, and lower functions are located in the ergonomic operator handle. All operator controls are accessible without having to lift the hand from the handle. Angle grips are designed to allow easy operation with either hand. Wrap around guard, reversing switch, thumb control, and horn are standard. Low mounted tiller arm offers excellent operator comfort and minimum steering effort.

FRAME AND MAST

Unitized all steel construction for added durability. Non-telescoping mono mast with single lifting chain, adjustable mast rollers. Chrome plated lift cylinder provides smooth lift/lower operation and long life. Fully enclosed wheel guard and flush mounted axles prevent wheel and axle damage during normal use.

SERVICEABILITY

Removable one piece power head cover allows for easy maintenance.

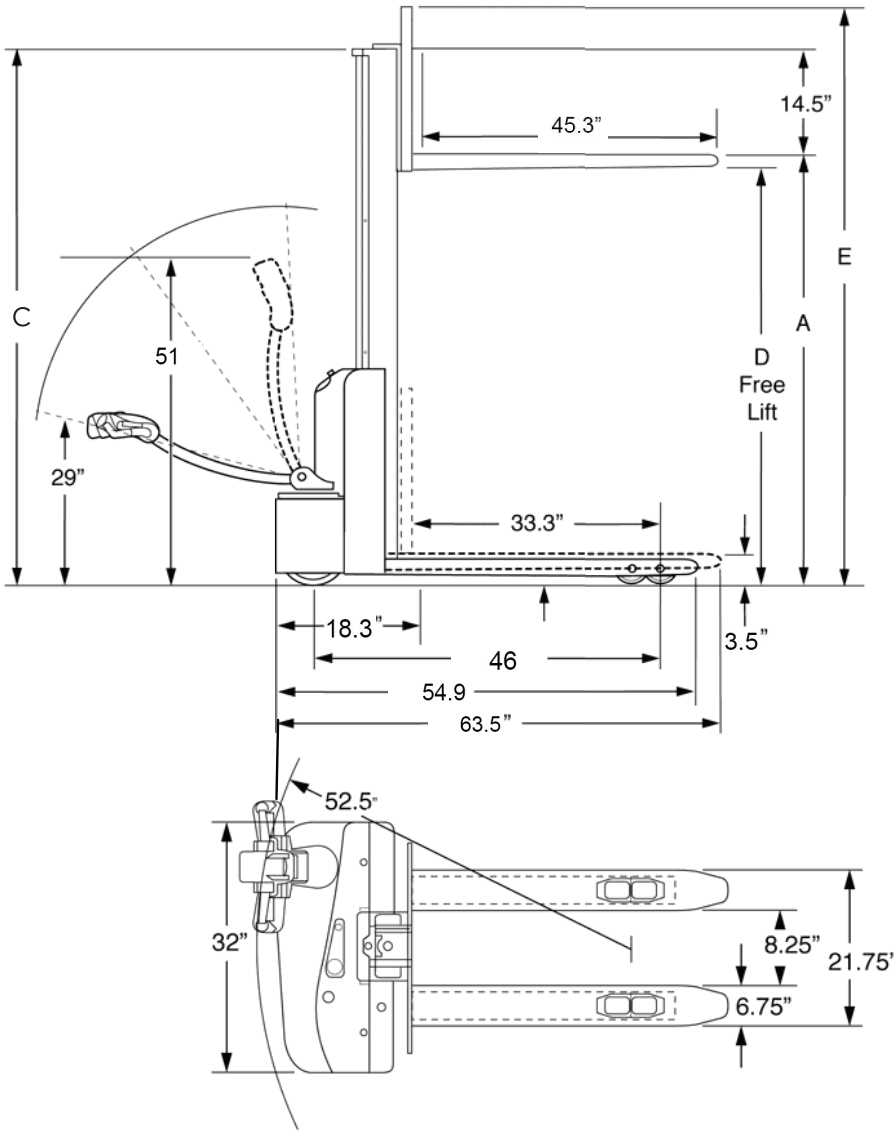
FORKOVER RIGID CARRIAGE

Forkover style forks are fixed on a rigid carriage and nest over the straddle legs. Standard fork is 45" long x 6.75" wide x 2.25" thick.

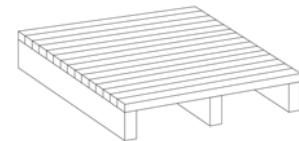
OPTIONAL EQUIPMENT

- 85AH maintenance free batteries available
- Hand held remote lift & lower control box with 3' coiled cord

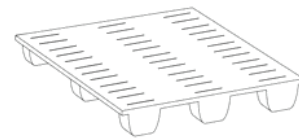
MONO MAST



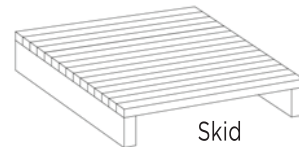
Skids, bins, and pallets without bottom boards are all loads that can be lifted by an ES10-62R forkover stacker



Pallet without Bottom Boards



4-Way Plastic Pallet



Skid

MODEL#	MAST	LIFT HEIGHT	COLUMN HEIGHT	FREE LIFT	EXT HEIGHT w/ LBR	FIXED STRADDLE LEGS		³ WEIGHT COMPLETE
		A	C	D	E	ID F	OD G	

2200 lbs. Capacity @ 24" Load Center / Forkover - Rigid Fork Carriage

ES10-62R	Mono	62	76.5	56	77	10.0	19.9	1125 lbs.
----------	------	----	------	----	----	------	------	-----------

³ Complete weight includes truck, battery and charger