

*R OLWKLXP DQG UH
WRWDO FRVW RI RZQ
WUDGLWLRQ HOHFWU

Y WKUHHOZ\K\H\Q\X\P\I
ZLWK GXDO \$& EDUQY
RQ ERDUG RSSRUWX
VXSSRUWV HDV\ GHS
MXVW DERXW DQ\ZKH

&\$3\$&,7<

OEWD ' ORDG FHQWHU
WR ZLWK LQWHJUDO VLGHVKLIW
DV VWDQGDUG HTXLSPHQW

7ULSOH VWDJH ZLGH YLHZ PDVWV
GHOLYHU PD\LPXP OLIW KHLJKWV
RI XS WR

6\$77(5<

Y 8/ UHFRJQ\$JHG
/L ,RQ E\B\W\B\O\H\DRW
FKDUJLQJ ZL\K\K\X\W\X\O\H\HG
PDLQWHQ\DO\FL\ORW\ LQIUDVWUXFWXUH
VXFKH\DM ZDVK VWDWLRQV

&RQQH5WRD ',1

3(5)250\$1&(

75\$9(/
PS\H\PSW\
PS\ORDGHG

/.),7
8SWR IS\H\PSW\
8SWR IS\ORDGHG

/2:(5,1*
8SWR IS\H\PSW\
8SWR IS\ORDGHG

7,5(6

)URQW VROLG SQHXPDWL
5HDU [ROLG SQHXPDWLF

23(5\$725&203\$570(17

2SHUD\W\W\PS\DU\W\LV\H\Q\SD\FLR\XV

IRU VXFK D VPD\G\X\H\P\W\K\H\L\Q\H

SXUSRVH\O\X\W\I\G\W\V\L\J\Q\JRQRPLF

FRQW\B\B\U\RYL\I\G\H\I\W\ ORZHY\W\I\W

DQ\GLGH\Z\K\W\W\U\Z\LW\K\LQ\HDV\H\I\L\FL\B\Q\G

UH\DR\K\W\K\I\SHUD\WRU\ 9LVLEL\O\I\W\A\I\Y

H\FHOHQW WKURXJK WKH Z\G\W\N\I\F\Z\H\D\G

3RZHU VWHULQJ ZLWK DVV\Y\I\N\H\Y\R\G\B\F\W\X\D\W\H\G\S

VWHHULQJ FROXP\H\DD\G\M\Q\V\W\I\D\E\O\H

FRPIRUWDEOH ZRUNLQJ SRV\I\W\L\B\B\Q\U\H\G\X\E\H\G

IDWLJXH GXULQJ RSHUDWLRQ\7\DU\JH\PLUURU\DQG

RYHUKHDG JXDUG PRXQWHG KDQG UDLO DLGV

RSHUDWRU ZKHQ GULYLQJ W\K\H\O\I\Q\S\W\K\H\G\H\Y\H\I\Y\H\G\X\W\A

GLUHFWLRQ\B\U\R\I\W\D\I\P\H\O\H\ FKDVVLV IHDWXUH\V\ORQJ

GLDJQRVW\G\E\V\I\O\W\D\I\P\X\Q\L\W\I\W\H\V\DQG\ORZ\FHQW\HU

WUDYHO VSHHG EDWWHU\G\H\K\D\W\I\R\Q\I\R\O\I\H\Z\Q\I\B\O\W\V

KRXU PHWHU DQG IDXOW FRG\H\DU\ULD\J\H\Q\O\I\H\G\B\O\W\VLGHVKLIW DQG

+<'5\$8/,&6

7KUHH IXQFWLRQ IRU OLIW WLOW DQG VLGHVKLIW DV
VWDQGDUG\W\G\RQDO\ WK\YDOYH\672\I\W\H\H\O\W\O\O
OHYHU DQG KRVLQJ LV DYD\O\D\O\H\W\B\V\X\S\SRW
WZR IXQFWLRQ DWWDFKPHQW\X\X\UQ\VLJQDOV\EDFN\XS\DO

((&75,&\$/ \$&FRQWUROOHU\X\G\M\X\V\W\D\O\G\W\H\O\W\V\H\H\U\L
WHFKQ\B\B\I\Y\H\M\I\K\I\K\O\G\ x,Q\W\H\U\G\H\O\K\LIW\ZLWK\ IXQFV
SHUIRUP\Z\K\O\H\VLJQLILFDQW\O\U\H\G\X\F\O\J
PDLQWHQ\B\O\O\H\G\H\I\W\H\Q\G\L\Q\J\X\SHY\H\U\H\W\O\Y\H\O\JUDE\KDQ
YHKLFOH VHUYLFH OLIH X [[)RUNV

%DW\W\H\O\DJH\PHQW\V\I\W\H\P\P\37\2\I\U\A\48,30(17

OLWKLXP EDWWHU\SHUIRUP\W\K\G\U\H\O\H\F\FRQWURO\DO
RSHUDWLRQ\D\W\H\O\H\I\W\G\O\G\+DQJ\RQ\VLGHVKLIW\LQ\OLH
EDWWHU\O\W\H\O\O\H\J\H\U\WK\D\Q
WUDGLWLRQDO\OHDG\DFLGV\O\G\X\W\K\U\W\O\Q\E\D\W\W\H\I\W\L

5,9(81,751' %5\$. (6

X\D\O\&G\U\L\P\W\G\U\H\O\V\P\H\U\W\K v 1RQ\PDUNLQJ\ZKLWH\WLUHV
R\U\T\X\H\D\O\G\X\W\H\W\G\F\M\RG v)RUNV RU /%5 %O

H\I\L\FL\B\Q\G\H\O\H\W\O\P\I\SH\DN

5\H\I\H\O\H\U\D\W\I\Y\H\Q\H\X\W\U\DO\ EUDNLQJ\H\I\W\H\Q\G\V

G\W\N\I\F\Z\H\D\G\H\K\L\F\O\H\Y\Z\H\W\G\I\V\K\G\U\X\O\L\E

E\Y\I\N\H\Y\R\G\B\F\W\X\D\W\H\G\S

H\O\V\X\H\H\H\F\W\I\Y\H\Y\W\R\SS

B\SH\O\U\B\B\Q\U\H\G\X\E\H\G

7\DU\JH\PLUURU\DQG

K\H\O\I\Q\S\W\K\H\G\H\Y\H\I\Y\H\G\X\W\A

F\K\D\V\I\V\I\H\D\W\X\U\H\V\ORQJ

6\X\E\M\H\F\W\W\R\W\H\U\P\V\D\Q

G\H\K\D\W\I\R\Q\I\R\O\I\H\Z\Q\I\B\O\W\V

O\H\G\B\O\W\VLGHVKLIW DQG

ORDG EDFN UHVW



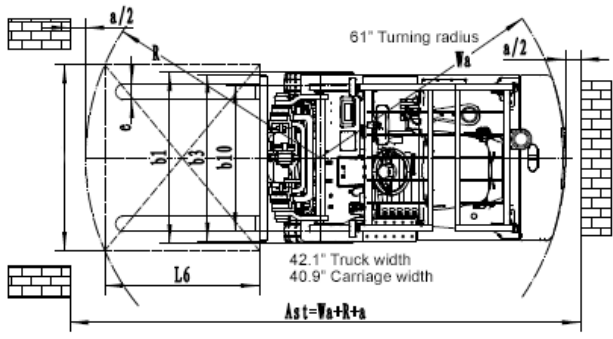
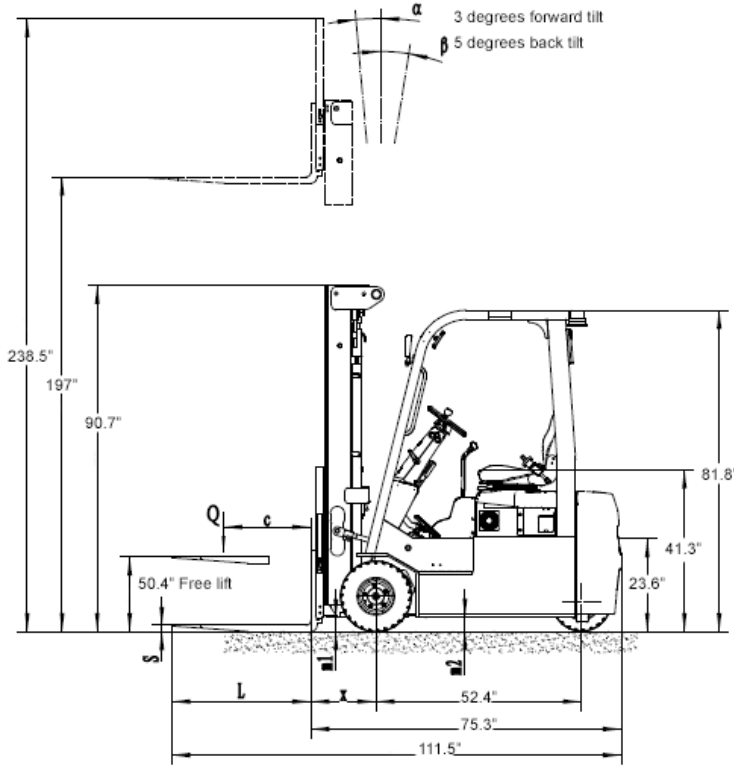
/W\K\L\B\W\W\H\U\Z

/9(6SULQW

)DVW FKDUJH FOHDQ SRZH

v KR XU UXQ WLP H ZLWK XS WRLQXMHFV
 v 1R IXPHZDWH URUWJZDVKWDWUHRTOXLUH G
 v /RZHRSWHUDFVRLKMDQW\SH RI JHQHUDO SXUS

W ORZFRVW
 DUJYHU
 CEWR # /&
 OEV WR # /&
 YH IRINOLW
 *UDGHDELOLW\ BRDGRHGH



/9(6SULQW V RQ ERDU
 FDQ EH XVHG ZLWK VW
 YDF DQG YDF RXW
 PDLNQJ IRU HDV\ GHSC
 DERXW DQ\ZKHUH IRU
 GXUDWLRQV

All measurements shown are in standard inch units

7 UXFN ORGH7UXFN /RDG & HQWPHDWWHU\ ODVW	/LIW & ROODS VWHG +HLJKW+HLJKW	<input type="checkbox"/>	<input type="checkbox"/>	<input type="checkbox"/>	<input type="checkbox"/>
---	-----------------------------------	--------------------------	--------------------------	--------------------------	--------------------------

3,500 lbs. Capacity*

LVE35-189	80 Lithium	Three Stage	189	88.2	47.8	230	52.3	61	7645
LVE35-197	80 Lithium	Three Stage	197	90.7	50.4	238	52.3	61	7678

* Derates to 2,500lbs above 130 elevation With Load Backrest

**

5HYROXWLRQLJH IRXU RSHUDWLRQOHZDWWK RYKRIQRZHJHV